

ARMADIO GN 2/1 - GN 2/1 RIDOTTO
REFRIGERATING CABINET GN 2/1 - GN 2/1 REDUCED

RIF. REF. Da matricola n°
From serial n°

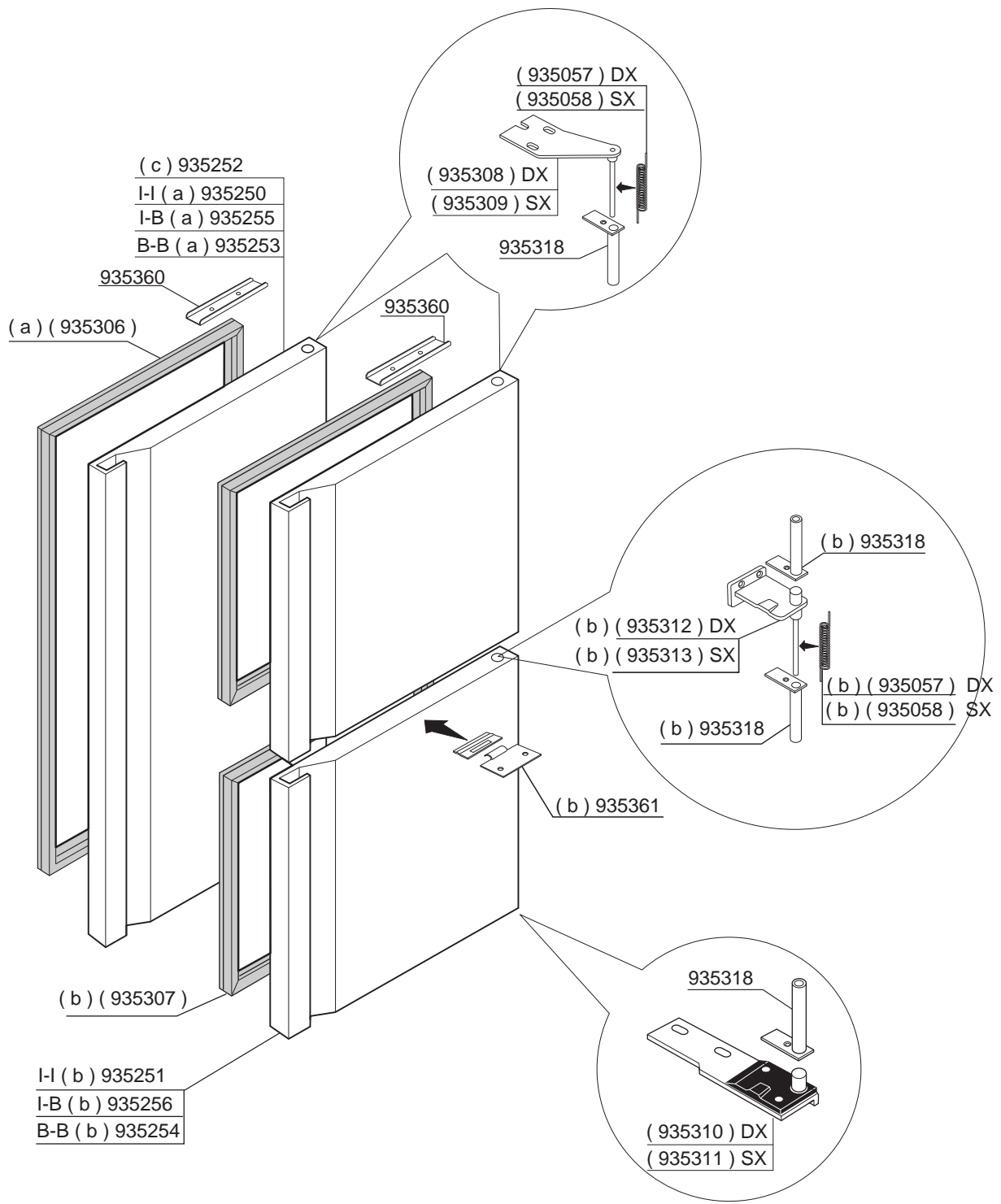
a ARMADIO CON PORTA INTERNA - FULL DOOR REFRIGERATING CABINET
b ARMADIO CON PORTA MEZZA - HALF DOOR REFRIGERATING CABINET
c ARMADIO CON SERVIZIO ITTICO - CABINET FOR FISH-SHOPS

930302/113

friulinox 33082 AZZANO DECIMO
PORDENONE - ITALY

RIPRODUZIONE, ANCHE PARZIALE, VIETATA

ESP1001-(01)

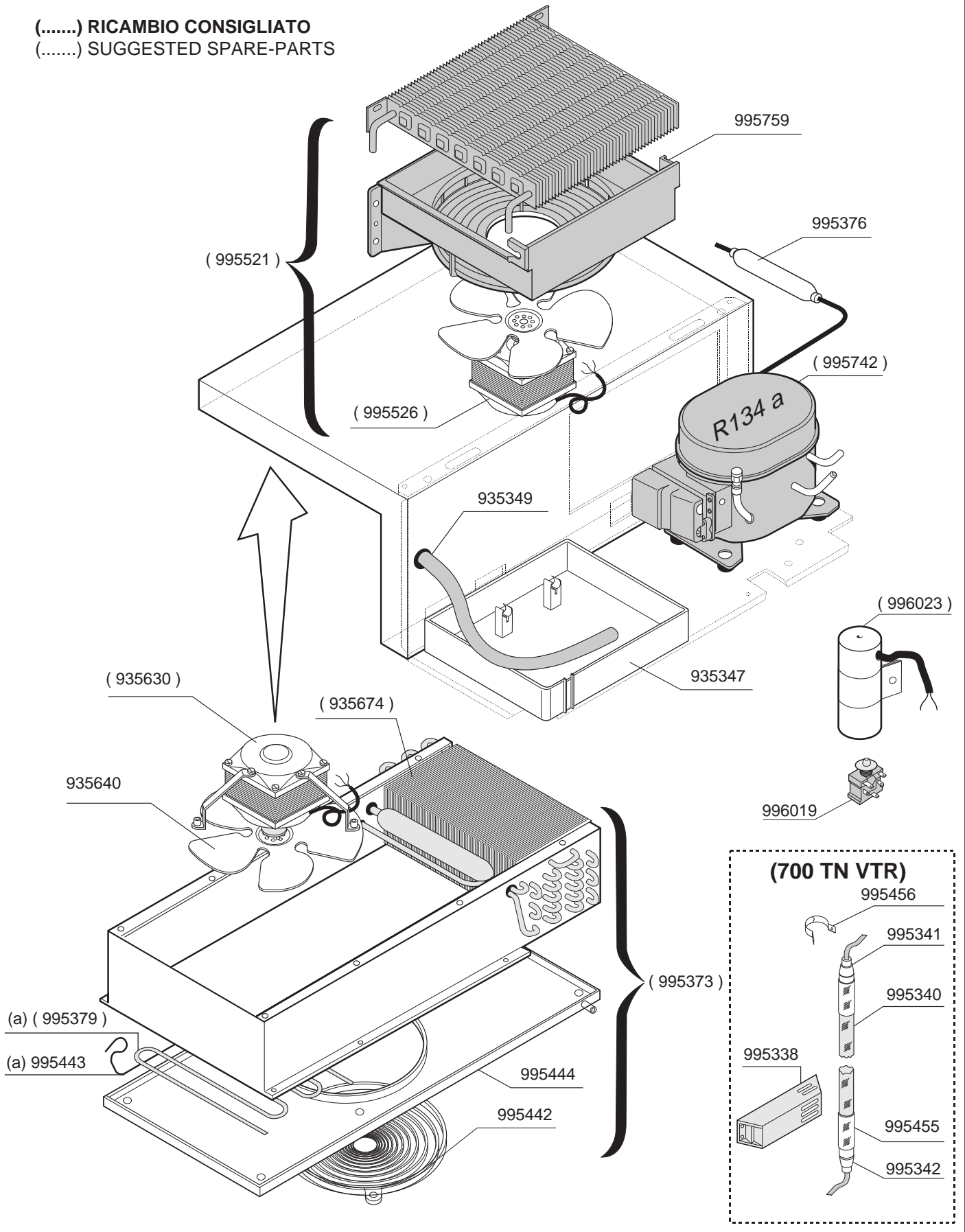


(I) = INOX - STAINLESS/STEEL
 (B) = BIANCO - WHITE

(.....) **RICAMBIO CONSIGLIATO**
 (.....) **SUGGESTED SPARE-PARTS**

PORTE CIECHE SOLID DOORS		RIF. REF.	Da matricola n° From serial n°
a	PORTA INTERA FULL DOOR		930302/113
b	PORTA MEZZA HALF DOOR		
c	PORTA INTERA PASTICCERIA PROFONDITA' 700 - FULL DOOR CONFECTIONERY DEPTH 700		
friulinox 33083 TAIEDO DI CHIONS PORDENONE - ITALY		ESP1001-(11) RIPRODUZIONE, ANCHE PARZIALE, VIETATA	

(.....) RICAMBIO CONSIGLIATO
 (.....) SUGGESTED SPARE-PARTS

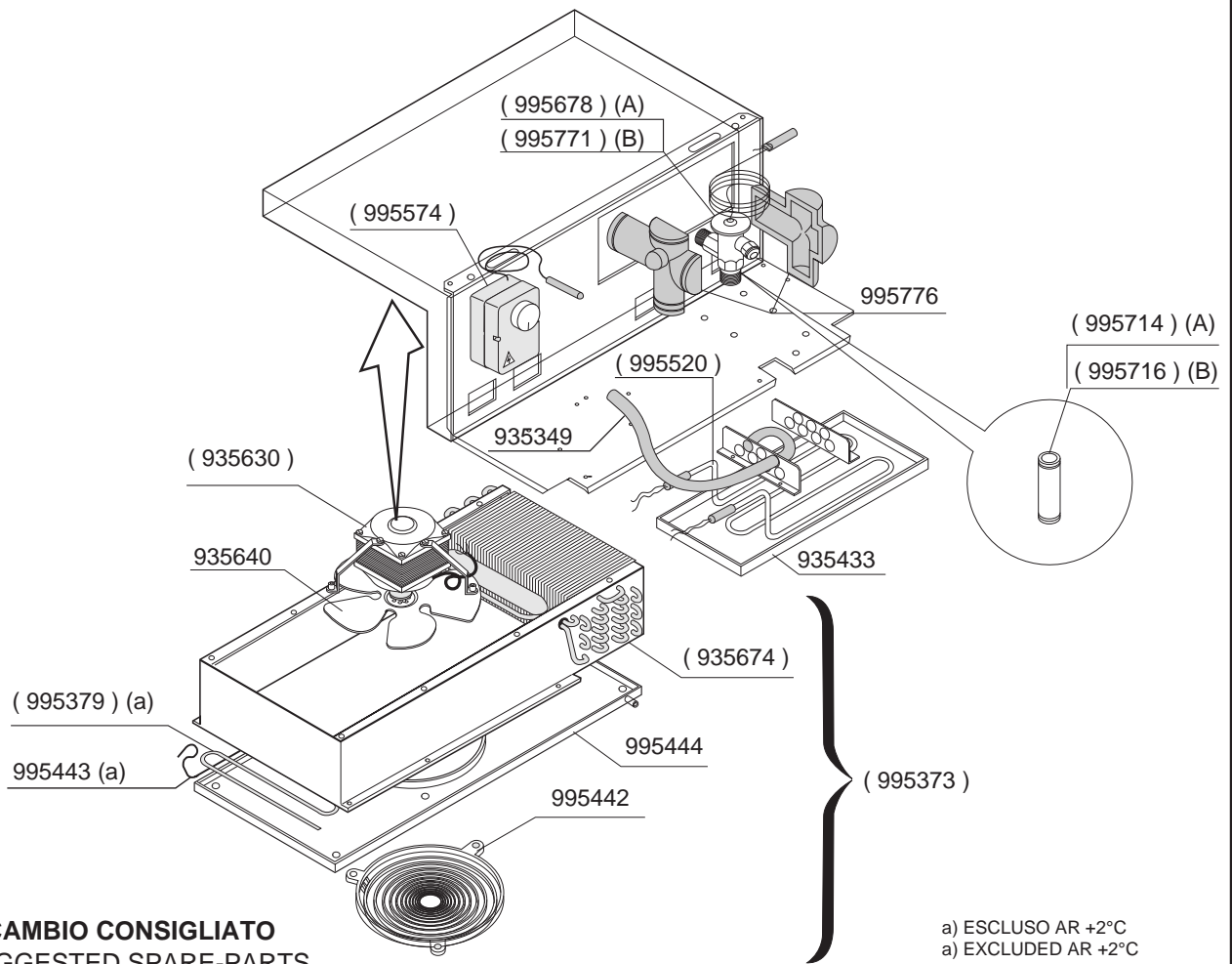


IMPIANTO FRIGO "700 TN"/ "700 TN VTR" "700 TN CON CASSETTI"/"TN 750"
 REFRIGERATED UNIT "700 NT" / "700 NT VTR" / "700 NT WITH DRAWERS"/"NT 750"

RIF. REF. Da matricola n°
 From serial n°

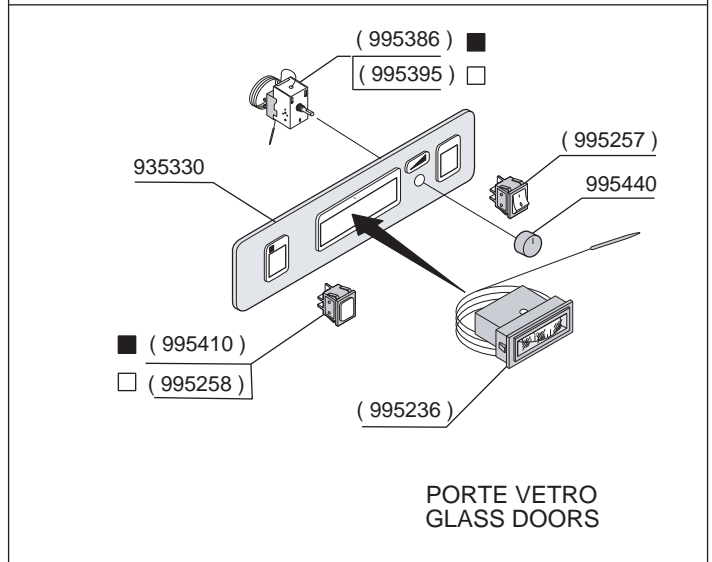
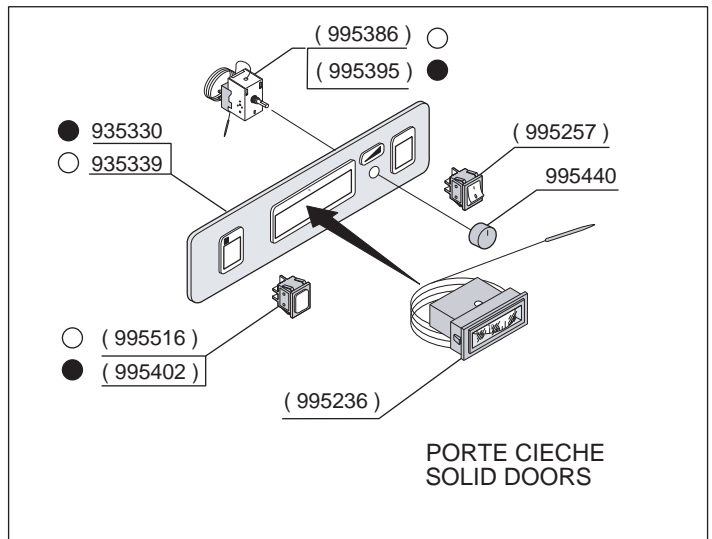
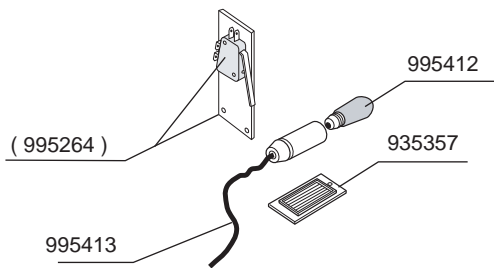
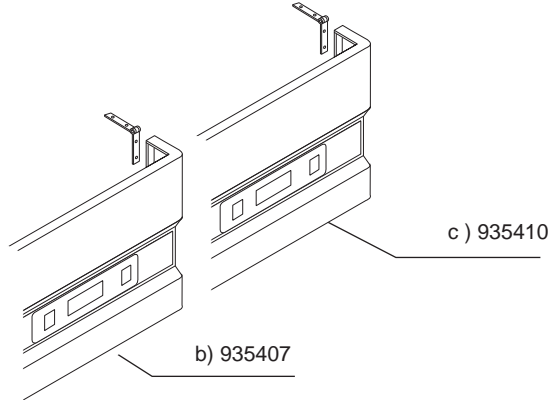
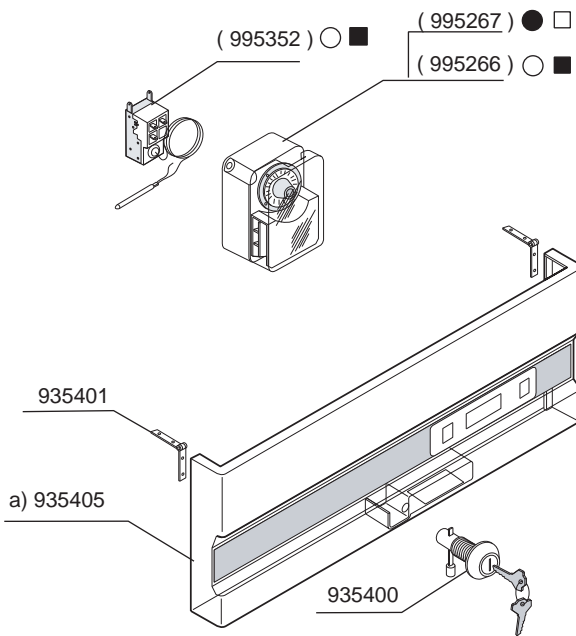
a ARMADIO REFRIGERATO (-2/+8°C) REFRIGERATED CABINET (-2/+8°C)

R 134a 960708/109



ARMADI 1 TEMPERATURA ONE TEMPERAT.CABINETS			ARMADI 2 TEMPERATURE TWO TEMPERAT.CABINETS						ARMADI 3 TEMPERATURE THREE TEMP.CABINETS					
AR6 +2	A	A	ARR122	①	A	A	ARP141	①	A	A	ARRP	①	A	A
AR6 -2	A	A		②	A	A		②	A	A		②	/	/
AR6 PA	A	A	ARP122	①	A	A	ARF141	①	A	A		③	/	/
AR6 +2 VTR	A	A		②	A	A		②	A	B	ARRF	①	A	A
AR6 -2 VTR	A	A	ARF122	①	A	A	AFP141	①	B	B		②	/	/
AP6 -4	A	A		②	B	A		②	A	A		③	/	/
AF6 -20	A	A	AFP122	①	B	A	ARR142 VTR	①	A	A	ARRR21	①	A	A
AF6 PA	A	A		②	A	A		②	A	A		②	A	A
AR7 +2	A	A	ARR142	①	A	A	ARF142 VTR	①	A	A		③	A	A
AR7 -2	A	A		②	A	A		②	/	/		①	A	A
AR7 +2CAS	A	A	ARP142	①	A	A	ARR212	①	/	/	ARRP21	②	A	A
AR7 -2 CAS	A	A		②	A	A		②	A	A		③	A	A
AR7 +2 VTR	A	A	ARF142	①	A	A	ARP212	①	/	/	ARRF21	①	A	A
AR7 -2 VTR	A	A		②	B	B		②	A	A		②	A	A
AR7 PIZ	A	A	AFP142	①	B	B	ARF212	①	/	/		③	B	B
AR7 S/V	A	A		②	A	A		②	B	B		①	A	A
AR7 PA	A	A	ARP121	①	A	A	ARP211	①	/	/	ARFP21	②	B	B
AP7 -4	A	A		②	A	A		②	A	A		③	A	A
AP7 -4 CAS	A	A	ARF121	①	A	A	ARF211	①	/	/	ARRF21 VTR	①	A	A
AE7	A	A		②	A	A		②	B	B		②	A	A
AF7 -25	B	B	AFP121	①	B	A	ARR212 VTR	①	/	/		③	/	/
AF7 PA	B	B		②	A	A		②	A	A				
			ARR141	①	A	A	ARF VTR	①	/	/				
				②	A	A		②	/	/				

UNITA' EVAPORATRICE ARMADI PREDISPOSTI EVAPORATING UNIT OF REMOTE CONTROLLED REFR.CABINETS		RIF. REF.	Da matricola n° From serial n°
		R134a R404A	951016/111



(.....) **RICAMBIO CONSIGLIATO**
 (.....) **SUGGESTED SPARE-PARTS**

- a) AR 600/AR700
- b) AR 1200/AR 1400
- c) AR 2100

PANNELLO COMANDI ARMADIO "TN"MECCANICO
CONTROL PANNEL FOR "NT" MECH.REFRIGERATED CABINET

●	ARMADIO REFRIGERATO PORTE CIECHE (+2/+8 C) REFRIGERATED CABINET BLIND DOORS (+2/+8 °C)
○	ARMADIO REFRIGERATO PORTE CIECHE (-2/+8 C) REFRIGERATED CABINET BLIND DOORS (-2/+8 °C)
■	ARMADIO REFRIGERATO PORTE VETRO (-2/+8 C) REFRIGERATED CABINET GLASS DOORS (-2/+8 °C)
□	ARMADIO REFRIGERATO PORTE VETRO (+2/+8 C) REFRIGERATER CABINET GLASS DOORS (+2/+8 °C)

RIF. REF. Da matricola n°
From serial n°

930302/113

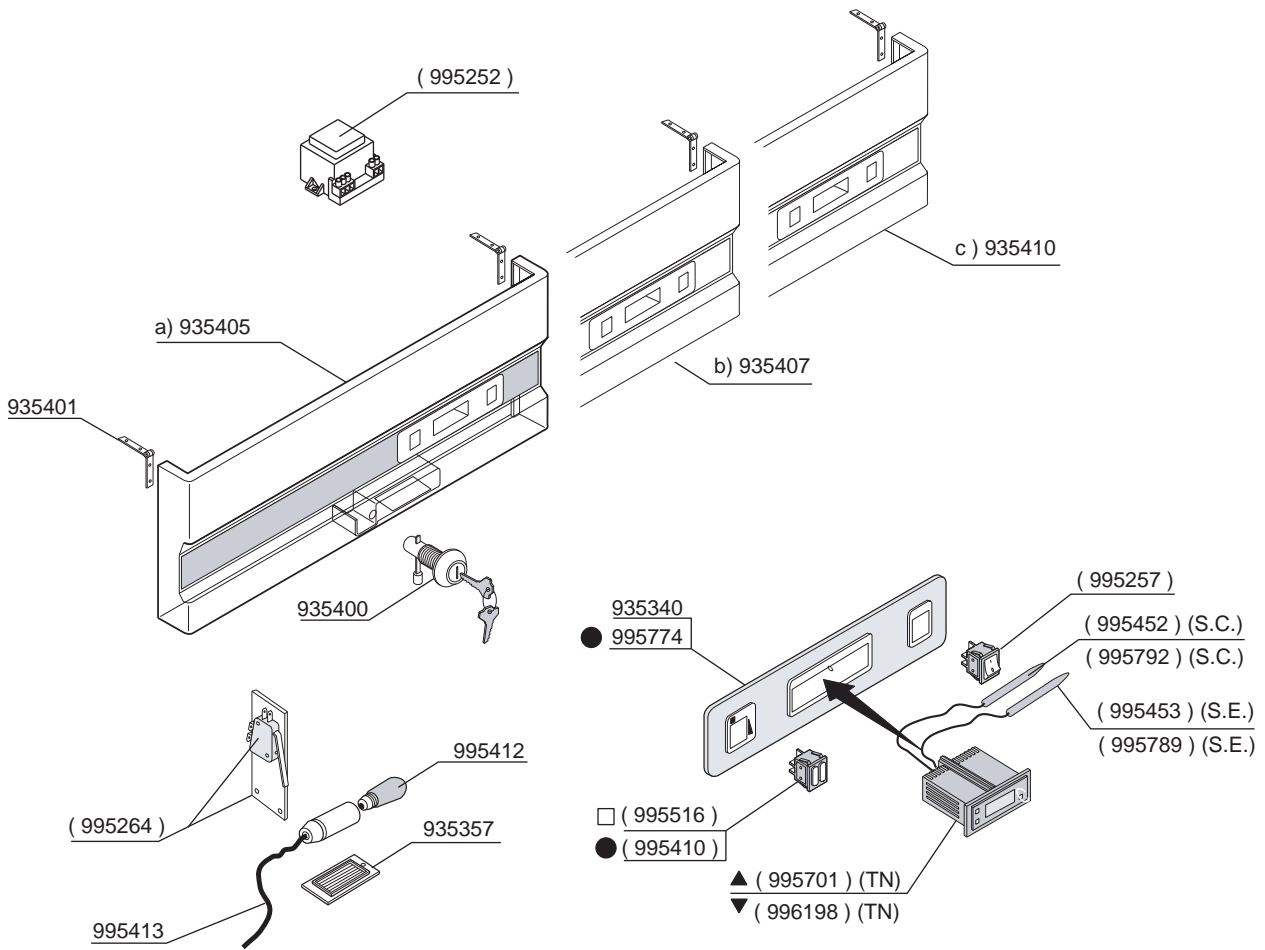
Cod.	Descrizione	Description
935330	MASCHERINA COMANDI AR TN-BT-ITT MEC	CONTROL TEMPLATE CABINET NT-LT-FISH MEC
935339	MASC.COMANDI AR TN UR% MIN/MAX MECC	CONTROL PANEL'UR% MIN/MAX'MECH.CUPB. NT
935357	VETRINO PROTEZIONE LAMPADA AR MNSC	LAMP PROTECTION GLASS
935400	SERRATURA A CHIAVE X AR MNSC/22	KEY-LOCKING DEVICE FOR REFR.CUPBOARDS
935401	KIT CERNIERA PER CRUSCOT.AR MNSC/22	HINGE KIT FOR FRONT PANEL
935405	CRUSCOTTO BLU MECCAN AR 6-7 MNSC/	BLUE FRONT PANEL FOR MECH.AR6-7 CUPBOARD
935407	CRUSCOTTO BLU MECCAN AR 12-14 MNSC/	BLUE FRONT PANEL FOR MECH.AR12-14 CUPB.
935410	CRUSCOTTO BLU MECCAN AR 21 MNSC/	BLUE FONRT PANEL FOR MECH.AR21 CUPBOARD
995236	TERMOMETRO MECCANICO 32X75	MECHANIC THERMOMETER 32X75
995257	INTERRUTTORE GENERALE VERDE PER AR	MAIN SWITCH (GREEN)
995258	INTERRUTTORE AUX. GIALLO PER AR	AUXILIARY SWITCH YELLOW
995264	MICROINTERRUTTORE PORTA AR	DOOR MICROSWITCH
995266	TIMER BIGATTI SBRINAMENTO GAS TR MN	DEFROST TIMER 'BIGATTI'
995267	TIMER BIGATTI TN AR/TR	TIMER 'BIGATTI'
995352	TERMOSTATO RANCO FINE SBRINAM. K22	-RANCO- K22 DEFROST-CONTROL THERMOSTAT
995386	TERMOSTATO K55-L5061 AR TN°-2	THERMOSTAT K55-L5061 AR TN-2 CHILLER
995395	TERMOSTATO K55-L5069 AR TN +2°C	THERMOSTAT K55-L5069
995402	LAMPADA SPIA GIALLA AR	YELLOW LAMP TR
995410	INTERRUTT.VERDE+SPIA GIALLA AR P.V.	SWITCH(GREEN)+LAMP(YELLOW) GLASS DOOR CB
995412	LAMPADA TUBOLARE 10W E14 AR MNSC	TUBULAR LAMP 10W E14
995413	CAVO CON PORTALAMPADA AR MNSC	BULB SOCKET+WIRE
995440	MANOPOLA PER TERMOSTATO K55	KNOB FOR THERMOSTAT K55
995516	DEVIATORE VERDE+SPIA GIALLA	GREEN SWICTH + YELLOW LAMP

PANNELLO COMANDI ARMADIO "TN" MECCANICO
CONTROL PANNEL FOR "NT" MECH.REFRIGERATED CABINET

friulinox 33083 TAIEDO DI CHIONS
PORDENONE - ITALY

RIPRODUZIONE,ANCHE PARZIALE,VIIETATA

ESP1001-(100)



- a) AR 600/AR700
- b) AR 1200/AR 1400
- c) AR 2100

- ▲ S.E - SONDA EVAPORATORE (ROSSA) - EVAPORATOR PROBE (RED)
- S.C. - SONDA CELLA (GRIGIA) - CELL PROBE (GREY)
- ▼ S.E - SONDA EVAPORATORE (BLACK - DEF) - EVAPORATOR PROBE (BLACK-DEF)
- S.C. - SONDA CELLA (NERA - THERM) - CELL PROBE (BLACK-THERM)

(.....) **RICAMBIO CONSIGLIATO**
 (.....) **SUGGESTED SPARE-PARTS**

PANNELLO COMANDI ARMADIO "TN -2"/ ARMADIO "TN -2" VTR ELETTRONICO CONTROL PANEL FOR ELECT."NT REFR.CABINET -2"/"NT REFR.CABINET -2 GLASS DOOR"		RIF. REF.	Da matricola n° From serial n°
●	PORTE VETRO GLASS DOORS	EWPC	950904/113
□	PORTE CIECHE SOLID DOORS	▲	20030530000099
		▼	20030603000001
friulinox 33083 TAIEDO DI CHIONS PORDENONE - ITALY		RIPRODUZIONE, ANCHE PARZIALE, VIETATA ESP1001-(151)	

Cod.	Descrizione	Description
935340	MASC.COMANDI AR TN UR% MIN/MAX ELET	CONTROL PANEL CHILLER
935357	VETRINO PROTEZIONE LAMPADA AR MNSC	LAMP PROTECTION GLASS
935400	SERRATURA A CHIAVE X AR MNSC/22	KEY-LOCKING DEVICE FOR REFR.CUPBOARDS
935401	KIT CERNIERA PER CRUSCOT.AR MNSC/22	HINGE KIT FOR FRONT PANEL
935405	CRUSCOTTO BLU MECCAN AR 6-7 MNSC/	BLUE FRONT PANEL FOR MECH.AR6-7 CUPBOARD
935407	CRUSCOTTO BLU MECCAN AR 12-14 MNSC/	BLUE FRONT PANEL FOR MECH.AR12-14 CUPB.
935410	CRUSCOTTO BLU MECCAN AR 21 MNSC/	BLUE FONRT PANEL FOR MECH.AR21 CUPBOARD
995252	TRASFORMATORE 3VA 230/12V VDE	TRANSFORMER 3VA 220/12V VDE
995257	INTERRUTTORE GENERALE VERDE PER AR	MAIN SWITCH (GREEN)
995264	MICROINTERRUTTORE PORTA AR	DOOR MICROSWITCH
995410	INTERRUTT.VERDE+SPIA GIALLA AR P.V.	SWITCH(GREEN)+LAMP(YELLOW) GLASS DOOR CB
995412	LAMPADA TUBOLARE 10W E14 AR MNSC	TUBULAR LAMP 10W E14
995413	CAVO CON PORTALAMPADA AR MNSC	BULB SOCKET+WIRE
995452	SONDA PTC GRIGIA SILIC.L=1500 CELLA	PTC PROBE - GREY L=1500
995453	SONDA PTC ROSSA SILIC.L=1500 EVAPOR	SILIC.PTC EVAPORATOR RED PROBE L=1500
995516	DEVIATORE VERDE+SPIA GIALLA	GREEN SWICTH + YELLOW LAMP
995701	TELETERMOSTATO EWPC 974 AR TN	DIGITAL ELEC.THERMOSTAT EWPC 974 CHILLER
995774	MASCHERINA COMANDI AR TR NEUTRA	CONTROL PANEL B209 - AR TR NEUTRAL
995789	SONDA NTC NERA SBIN. L=1500 PVC	NTC PROBE - BLACK DEFROST PVC L=1500
995792	SONDA NTC NERA TERM. L=1500 PVC	NTC PROBE - BLACK THERM. PVC L=1500
996198	TELETERMOSTATO ID 974 TN	DIGITAL ELECTRONIC THERMOSTAT ID 974 NT

PANNELLO COMANDI ARMADIO "TN -2"/ ARMADIO "TN -2" VTR ELETTRONICO
CONTROL PANEL FOR ELECT."NT REFR.CABINET -2"/"NT REFR.CABINET -2 GLASS DOOR"

friulinox 33083 TAIEDO DI CHIONS
PORDENONE - ITALY

RIPRODUZIONE,ANCHE PARZIALE,VIIETATA

ESP1001-(151)